

# BEH-SAE系列法兰式高压球阀

BEH-SAE Series Flange High Pressure Ball Valve

其它  
系列

## 型号说明 Model Code



**BEH -- \* \* -- SAE**

1                      2                      3

- 1、产品代号/Series Code : BEH型高压球阀  
BEH High Pressure Ball Valve
- 2、公称口径/Nominal Diameter : 32、40、50 mm
- 3、接头标准/Joint Standard : SAE法兰/SAE Flange

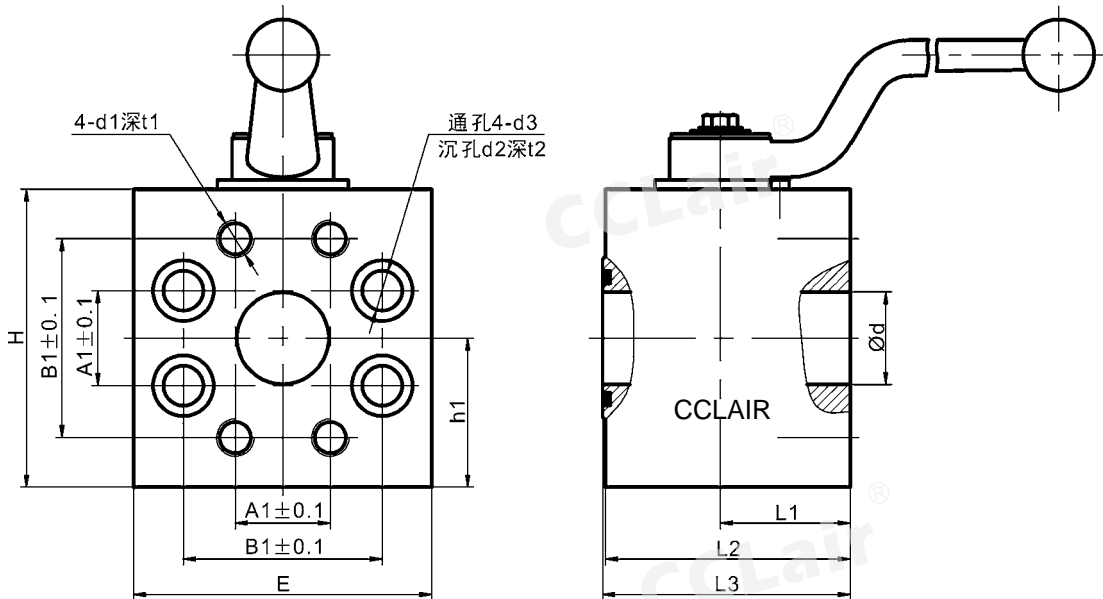
**Applicable Medium:** 液压油 Hydraulic Oil

备注 : 适用介质/

## 图形符号 Symbol



## 外形尺寸 Overall Dimension



型号 Part No.	PN (bar)	d	A1	B1	H	h1	E	L1	L2	L3	d1	t1	d2	t2	d3
BEH-32-SAE	400	31	31.8	66.6	100	50	100	43.5	82	83	1/2" -13 UNC-2A	25	20.5	17.5	13.5
BEH-40-SAE	400	38	36.5	79.3	120	60	120	53.5	99	100	5/8" -11 UNC-2B	36	26	21.5	16.5
BEH-50-SAE	400	48	44.5	96.8	124	62	134	61	110	111	3/4" -10 UNC-2B	36	30.5	25	20.5